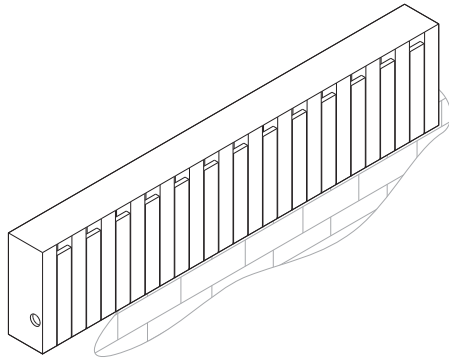
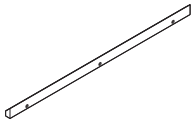
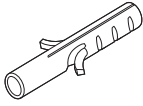
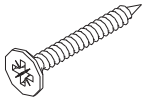


# 72088 TEAK PIANO RACK ASSEMBLY INSTRUCTIONS FOR RACK INSTALLATION

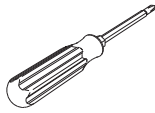

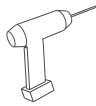
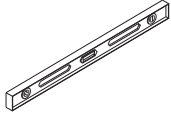
# PER/USE



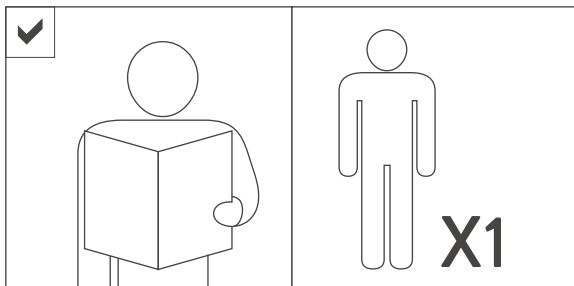
### HARDWARE ENCLOSED

 HANGING HARDWARE 1 pc	 WALL PLUG (Ø 8) 4 pcs
 SCREW (4 x 60) 4 pcs	

### TOOLS (not included in package)

 CROSS-HEAD SCREWDRIVER	 PENCIL
 DRILLING MACHINE	 LEVEL

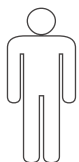
### NOTICE



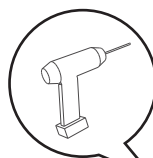
### SYMBOLS



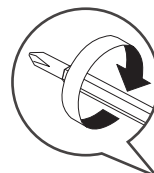
DIRECTION



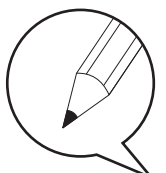
NUMBER OF  
PERSON NEEDED



USE DRILLING  
MACHINE



USE SCREWDRIVER  
TO TIGHTEN

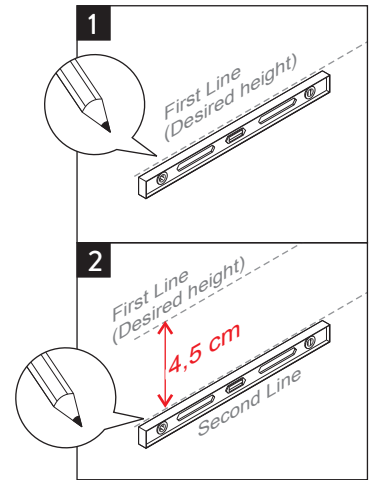
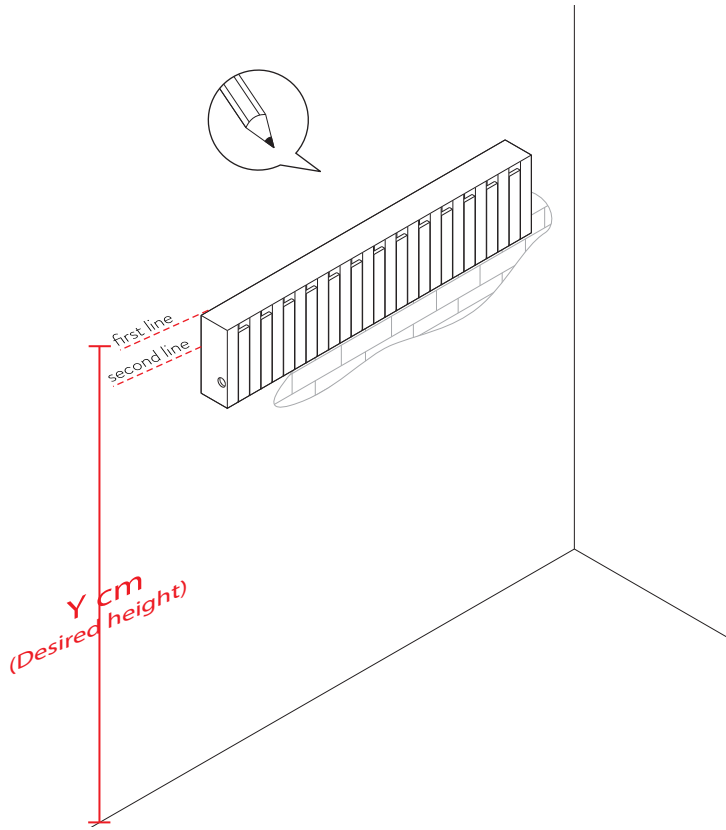


USE PENCIL

72088 TEAK PIANO RACK  
 ASSEMBLY INSTRUCTIONS FOR RACK INSTALLATION

**PER/USE**

**A DETERMINE THE LINE**

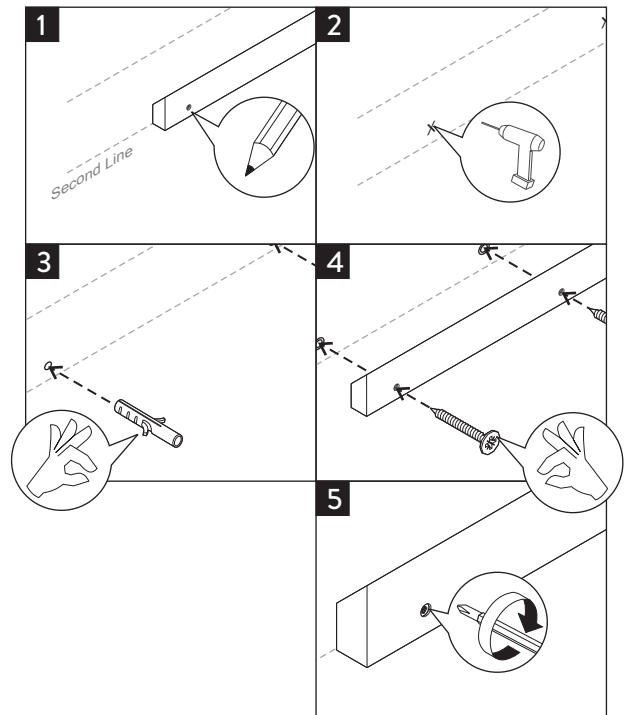
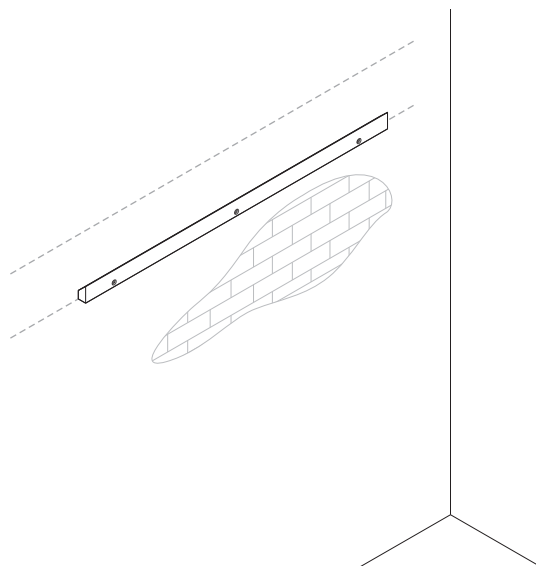


**! USE LEVEL FOR ALIGNMENT**

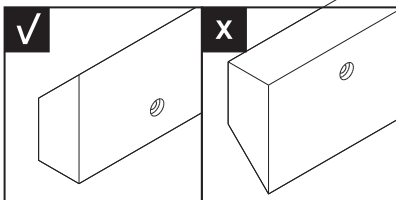
**FOR EXAMPLE**

If you want to hang the Xylo with the top (first line) at a height of 195 cm, the bottom of the beam (second line) should be placed at  $(195 - 4,5 =) 190,5$  cm.

**B INSTALLING HANGING HARDWARE**



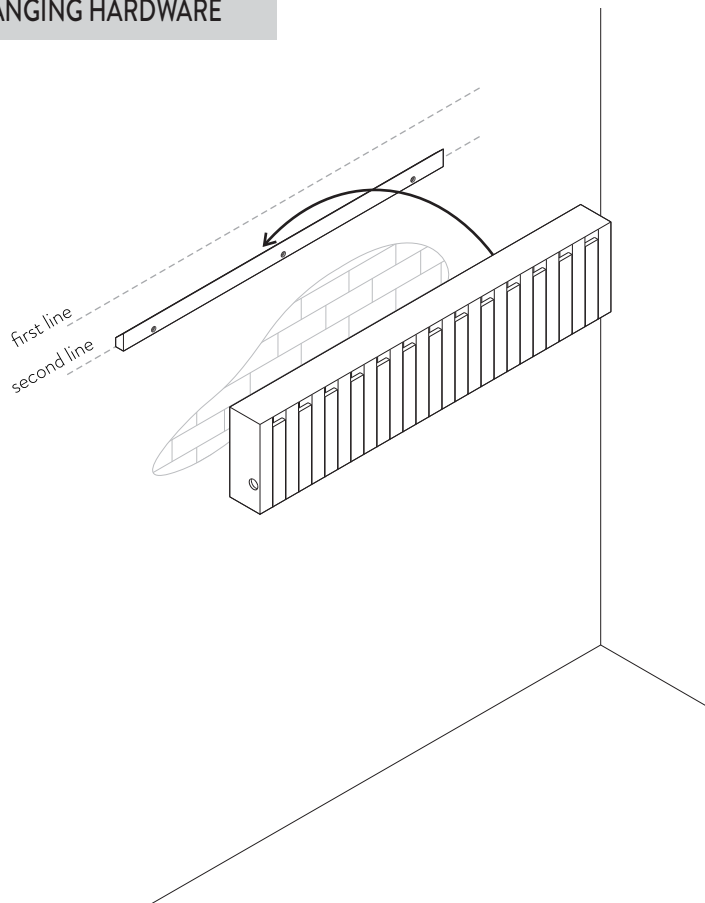
**! TIGHTEN FULLY**



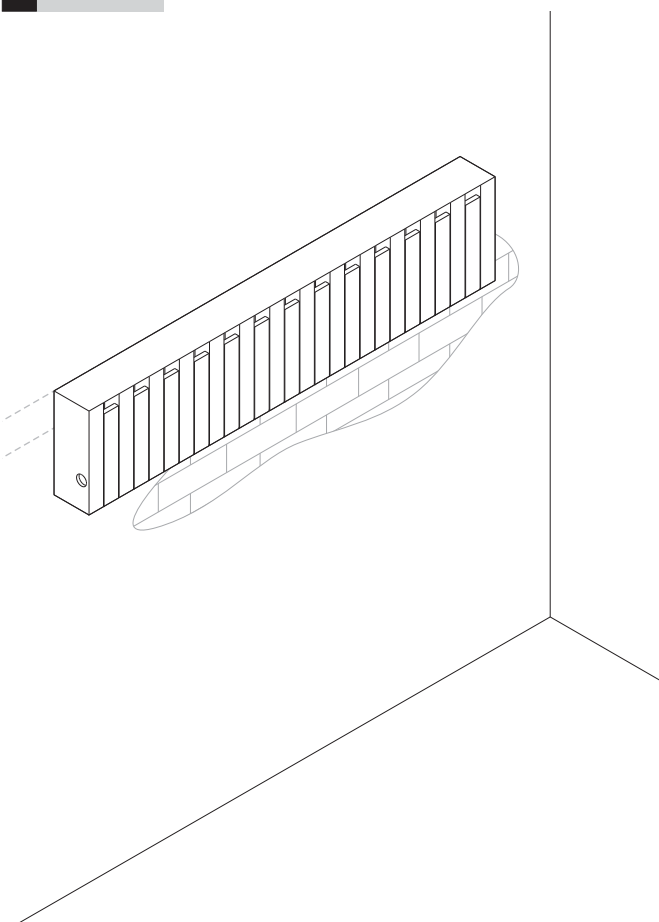
72088 TEAK PIANO RACK  
ASSEMBLY INSTRUCTIONS FOR RACK INSTALLATION

**PER/USE**

**C** HANGING RACK TO THE HANGING HARDWARE



**D** FINISH



**Ready? Unfold those hooks!**

